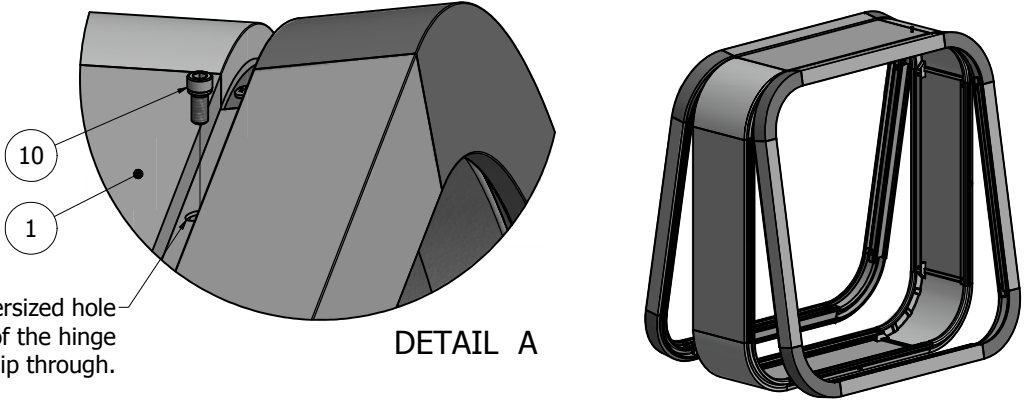


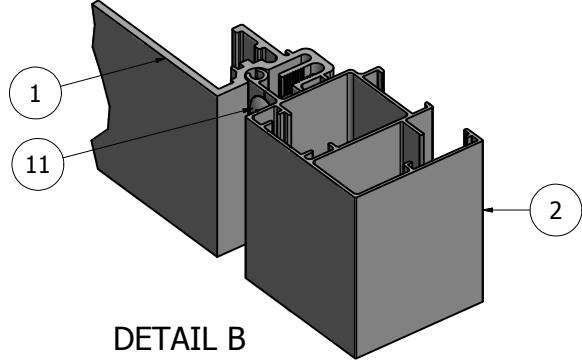
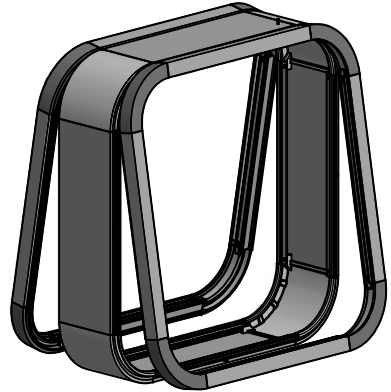
PARTS LIST			
ITEM	PART #	DESCRIPTION	NOTES
1	K2005/4100	Wide Body w/ 9in Radius Corners	Assembly
2	K2045/65/75/4200	2 1/4" Retainer and Dual Frame w/ 9in Radius Corners & Covers	Assembly
10	5170	Hinge Screw	Drill 3/8" pilot hole
11	5180	Closure Screw	Drill 5/16" pilot hole

Ship To:  
Sales Order#

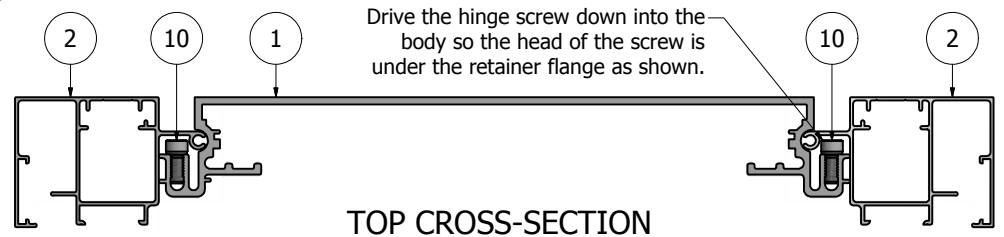
**\*NOTE:** Drill a 3/8" oversized hole for the head of the hinge screw to slip through.



DETAIL A



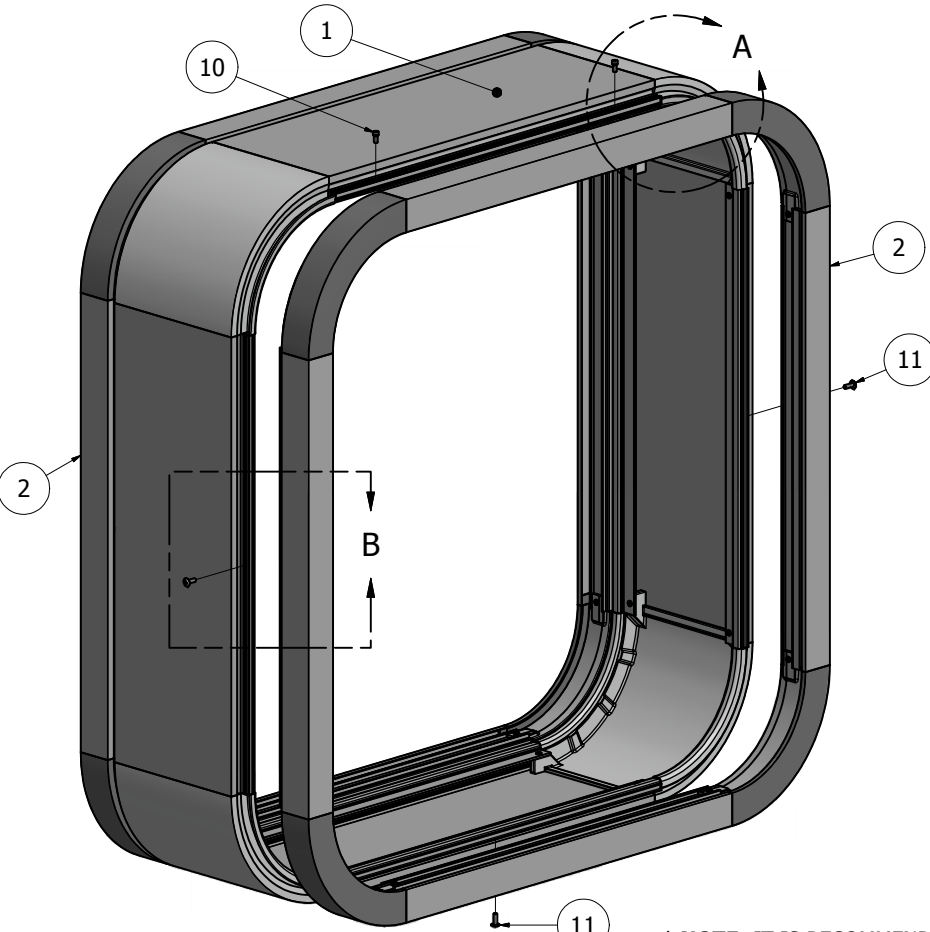
DETAIL B  
FRAME CLOSED



Drive the hinge screw down into the body so the head of the screw is under the retainer flange as shown.

TOP CROSS-SECTION

**\*NOTE: PRE-CUT KITS ARE NOT PRE-DRILLED.**  
(Holes shown in this drawing are for reference only. Drilling of pilot holes are to be done by fabricator.)



**\*NOTE:** IT IS RECOMMENDED THAT THE FRAME BE ASSEMBLED ON THE BODY, THEN RATCHET STRAPPED TO CHECK FOR SQUARE, BEFORE THE FRAME IS WELDED OR MECHANICALLY FASTENED.

THIS DRAWING WAS CREATED AT NO CHARGE TO ASSIST YOU IN VISUALIZING OUR PROPOSAL. THE DRAWING HEREIN IS THE PROPERTY OF SIGNCOMP. PERMISSION TO COPY OR REVISE THIS DRAWING OR TO USE THIS DRAWING FOR PRODUCTION IS STRICTLY PROHIBITED AND CAN ONLY BE COPIED, REVISED OR USED FOR PRODUCTION WITH THE EXPRESSED WRITTEN PERMISSION OF SIGNCOMP.

DRAWING BY:	SBreihof	11/25/2013
Centroid X:	0.000 in	
Centroid Y:	0.000 in	
Principal Moments Ix:	0.000 in <sup>4</sup>	
Principal Moments Iy:	0.000 in <sup>4</sup>	
Section Modulus Ix:	0.000 in <sup>3</sup>	
Section Modulus Iy:	0.000 in <sup>3</sup>	

<b>SignComp</b>		TITLE
		Wide Body w/ 2-1/4" Retainer and 9in Radius Corners - Assembly
PART NO	<b>KWB/45/4510</b>	REV
SHEET 1 OF 1		

Ship To:  
Sales Order#

Caulk the joints where the Radius Diecast Corners and the Extrusion meet, yet making sure the water relief channel is not blocked, allowing for water to flow.

DETAIL B

**\*NOTE:** RADIUS CORNERS ARE DESIGNED TO BE WELDED, HOWEVER CAN ALSO BE MECHANICALLY ASSEMBLED.

DETAIL A

CROSS-SECTION VIEW

**NOTE: PRE-CUT KITS ARE NOT PRE-DRILLED.**  
(Holes shown in this drawing are for reference only. Drilling of pilot holes are to be done by fabricator.)

PARTS LIST

ITEM	PART#	DESCRIPTION	NOTES
1	2005	Wide Body	Top & Bottom
2	2005	Wide Body	Sides
3	4100	Wide Body 9in Radius Corner	
65	5218	Radius Corner Screw	Drill 5/32" pilot hole

THIS DRAWING WAS CREATED AT NO CHARGE TO ASSIST YOU IN VISUALIZING OUR PROPOSAL. THE DRAWING HEREIN IS THE PROPERTY OF SIGNCOMP. PERMISSION TO COPY OR REVISE THIS DRAWING OR TO USE THIS DRAWING FOR PRODUCTION IS STRICTLY PROHIBITED AND CAN ONLY BE COPIED, REVISED OR USED FOR PRODUCTION WITH THE EXPRESSED WRITTEN PERMISSION OF SIGNCOMP.

DRAWING BY:	SBreihof	6/26/2013
Centroid X:	0.000 in	
Centroid Y:	0.000 in	
Principal Moments Ix:	0.000 in <sup>4</sup>	
Principal Moments Iy:	0.000 in <sup>4</sup>	
Section Modulus Ix:	0.000 in <sup>3</sup>	
Section Modulus Iy:	0.000 in <sup>3</sup>	

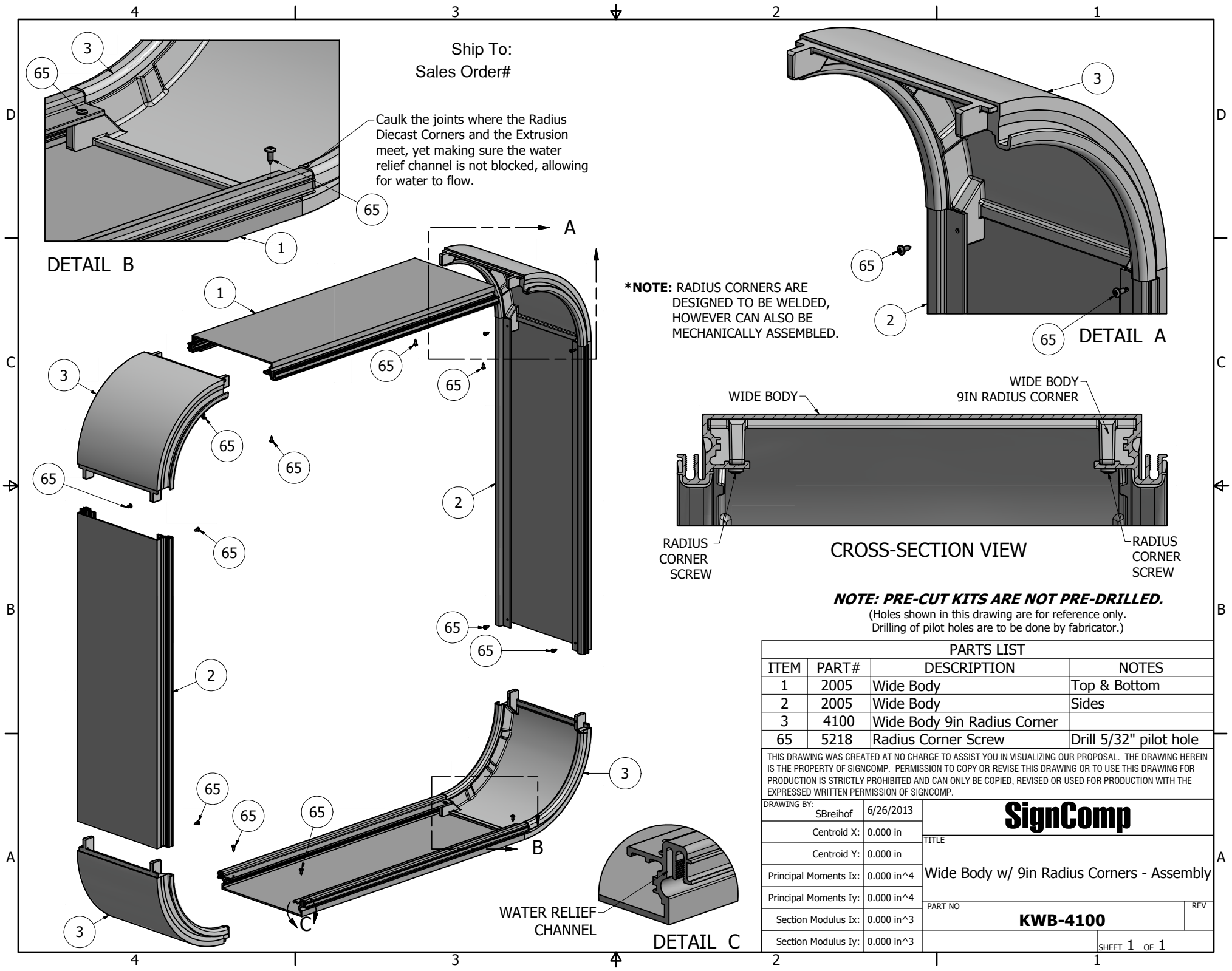
**SignComp**

TITLE  
Wide Body w/ 9in Radius Corners - Assembly

PART NO  
**KWB-4100**

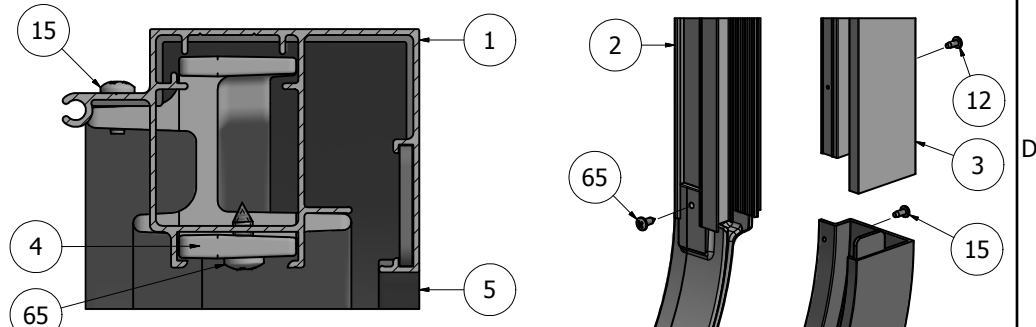
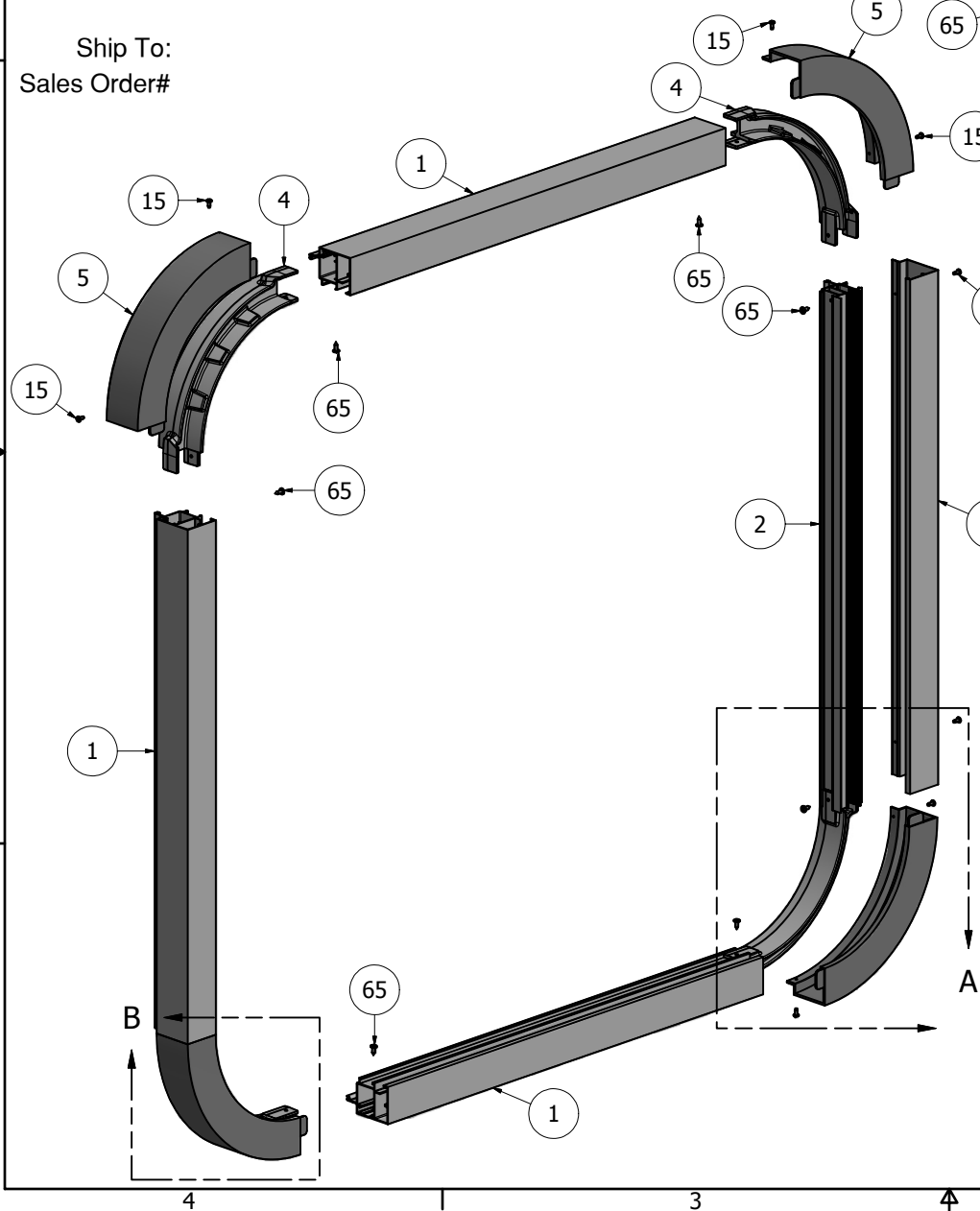
REV

SHEET 1 OF 1

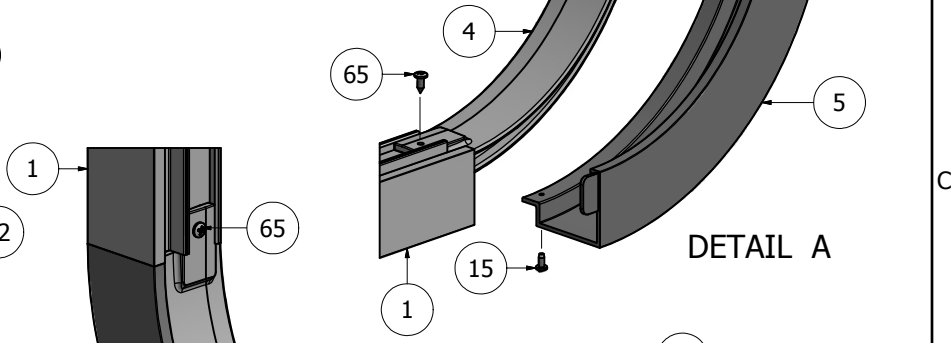


PARTS LIST			
ITEM	PART#	DESCRIPTION	NOTES
1	2045	2 1/4" Retainer	Top, Bottom & One Side
2	2065	Dual Frame	One Side
3	2075	2 1/4" Dual Frame Cover	One Side
4	4200	Dual Frame 9in Radius Corner	All 4 Corners
5	4220P	Dual Frame 9in Radius Cover	All 4 Corners
12	5195	Cover Screw	Pre-drill a 3/32" pilot hole
15	5195	Radius Corner Cover Screw	Pre-drill a 3/32" hole
65	5218	Radius Corner Screw	Drill a 5/32" pilot hole

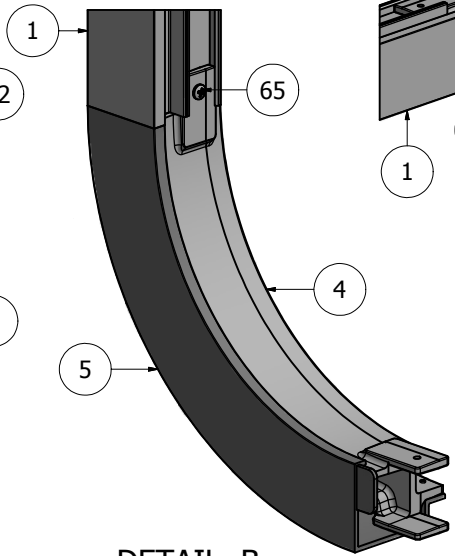
Ship To:  
Sales Order#



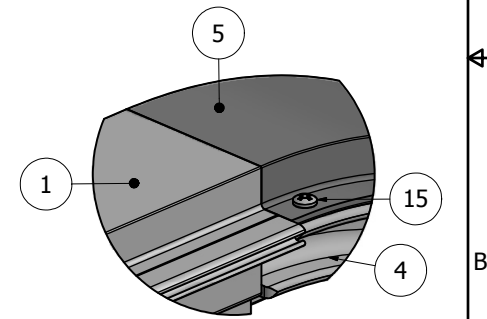
TOP CROSS-SECTION



DETAIL A



DETAIL B



ASSEMBLED BACK VIEW

**NOTE: PRE-CUT KITS ARE NOT PRE-DRILLED.**  
(Holes shown in this drawing are for reference only.  
Drilling of pilot holes are to be done by fabricator.)

THIS DRAWING WAS CREATED AT NO CHARGE TO ASSIST YOU IN VISUALIZING OUR PROPOSAL. THE DRAWING HEREIN IS THE PROPERTY OF SIGNCOMP. PERMISSION TO COPY OR REVISE THIS DRAWING OR TO USE THIS DRAWING FOR PRODUCTION IS STRICTLY PROHIBITED AND CAN ONLY BE COPIED, REVISED OR USED FOR PRODUCTION WITH THE EXPRESSED WRITTEN PERMISSION OF SIGNCOMP.			
DRAWN	SBreihof	12/19/2012	<b>SignComp</b>
Centroid X:	0.000 in	TITLE	
Centroid Y:	0.000 in	2 1/4" Retainer and Dual Frame & Cover w/ 9in Radius Corners - Assembly	
Principal Moments Ix:	0.000 in <sup>4</sup>	DWG NO	REV
Principal Moments Iy:	0.000 in <sup>4</sup>	<b>K2045-65-75-4200-4220P</b>	
Section Modulus Ix:	0.000 in <sup>3</sup>	SHEET 1 OF 1	
Section Modulus Iy:	0.000 in <sup>3</sup>		